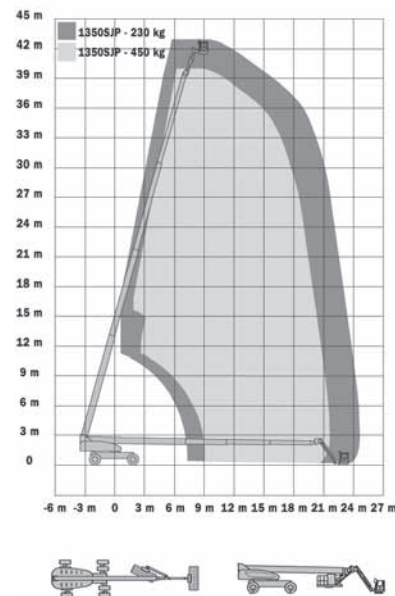


RENTAL & SPECIFICATION GUIDE



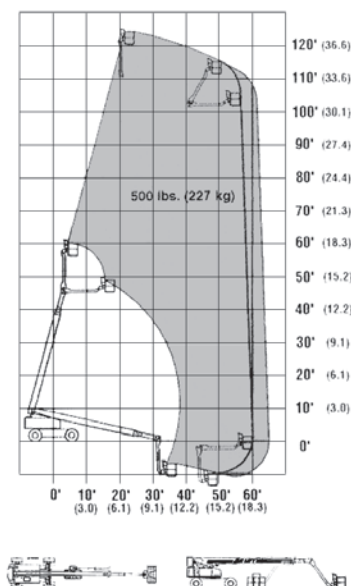
INSTANTACCESS

> JLG 1350 SJP



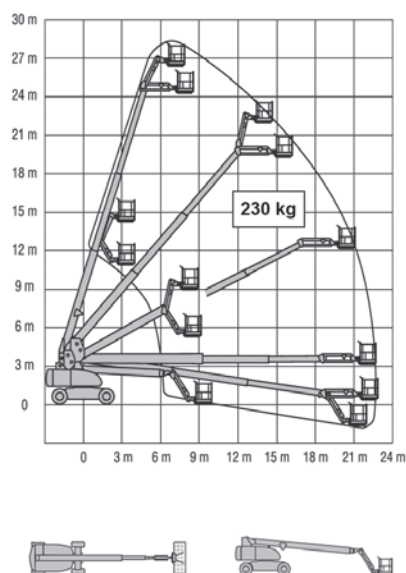
> Max. working height	43.30m
> Max. horizontal outreach	24.38m
> Platform size	0.91x2.44m
> Max. platform capacity	450kg
> Max. overall width	3.81m
> Stowed length	11.86m
> Machine weight	20,400kg

> JLG 120 HX



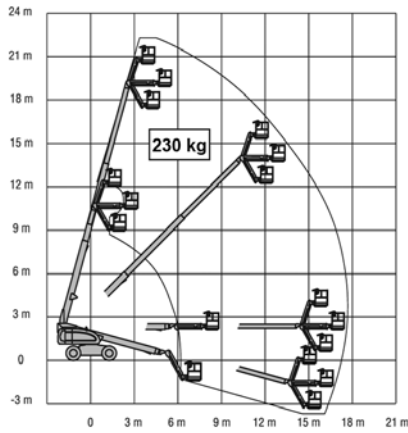
> Max. working height	38.4m
> Max. horizontal outreach	16.76m
> Platform size	0.91x1.83m
> Max. platform capacity	227kg
> Max. overall width	3.3m
> Stowed length	10.95m
> Machine weight	19,750kg

> JLG 860 SJ



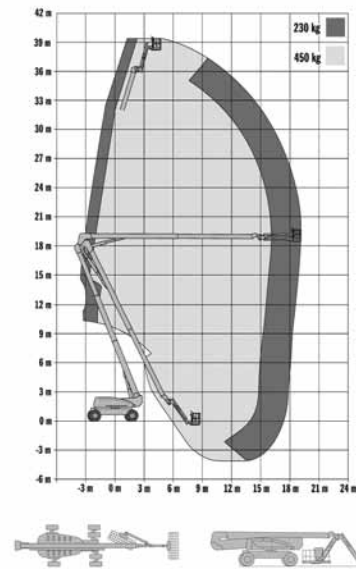
> Max. working height	28.21m
> Max. horizontal outreach	22.86m
> Platform size	0.91x2.44m
> Max. platform capacity	230kg
> Max. overall width	2.49m
> Stowed length	12.19m
> Machine weight	17,200kg

JLG 660 SJ



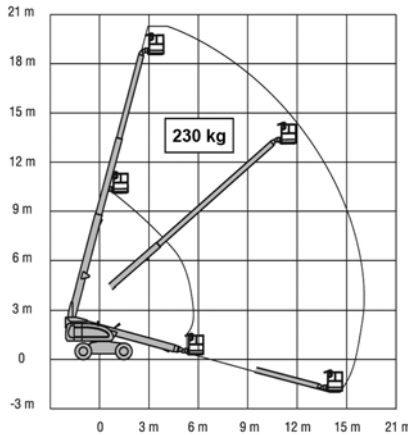
➤ Max. working height	22.31m
➤ Max. horizontal outreach	17.30m
➤ Platform size	0.91x2.44m
➤ Max. platform capacity	230kg
➤ Max. overall width	2.42m
➤ Stowed length	10.21m
➤ Machine weight	13,150kg

JLG 1250 AJP



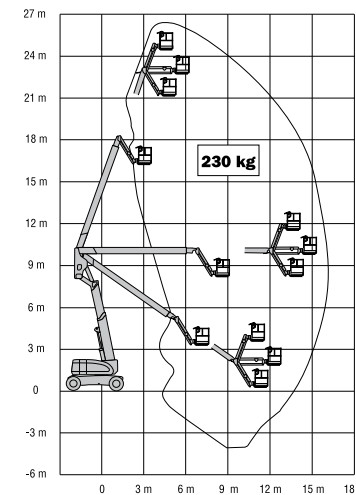
➤ Max. working height	40.30m
➤ Max. horizontal outreach	19.25m
➤ Platform size	0.91x2.44m
➤ Max. platform capacity	450kg
➤ Max. working width	3.81m
➤ Stowed length	11.46m
➤ Machine weight	21,000kg

JLG 600 S



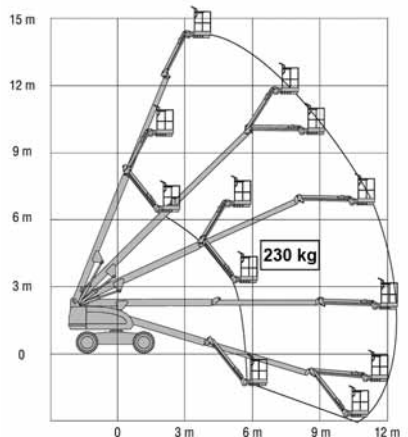
➤ Max. working height	20.36m
➤ Max. horizontal outreach	15.09m
➤ Platform size	0.91x2.44m
➤ Max. platform capacity	230kg
➤ Max. overall width	2.42m
➤ Stowed length	8.51m
➤ Machine weight	10,800kg

JLG 800 AJ



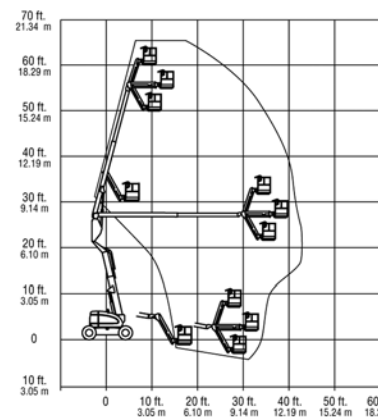
➤ Max. working height	26.46m
➤ Max. horizontal outreach	15.74m
➤ Platform size	0.91x2.44m
➤ Max. platform capacity	230kg
➤ Max. working width	2.43m
➤ Stowed length	11.12m
➤ Machine weight	15,600kg

JLG 460 SJ



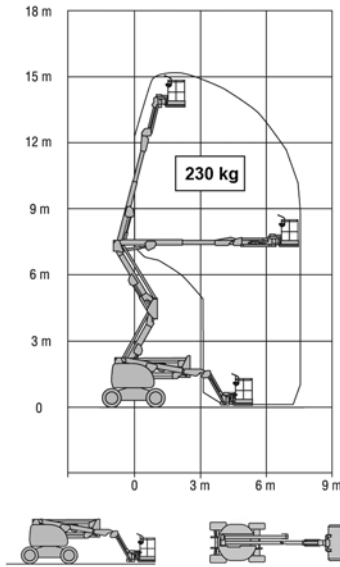
➤ Max. working height	16.02m
➤ Max. horizontal outreach	12.34m
➤ Platform size	0.91x2.44m
➤ Max. platform capacity	230kg
➤ Max. overall width	2.30m
➤ Stowed length	8.84m
➤ Machine weight	7,850kg

JLG 600 AJ



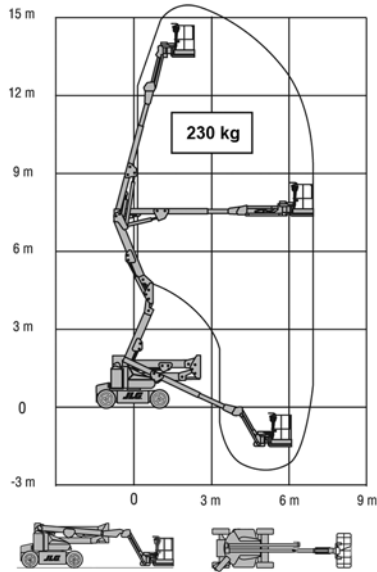
➤ Max. working height	20.47m
➤ Max. horizontal outreach	11.81m
➤ Platform size	0.91x2.44m
➤ Max. platform capacity	230kg
➤ Max. working width	2.44m
➤ Stowed length	8.82m
➤ Machine weight	10,830kg

> JLG 450 AJ



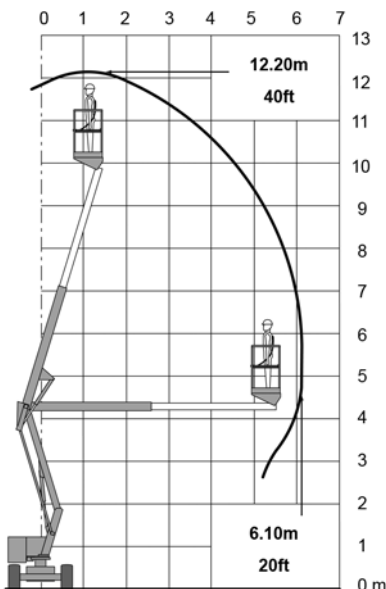
> Max. working height	15.72m
> Max. horizontal outreach	7.47m
> Platform size	0.76x1.83m
> Max. platform capacity	230kg
> Max. working width	2.08m
> Stowed length	6.53m
> Machine weight	7,400kg

> JLG M/E450 AJ



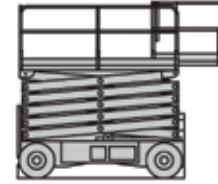
> Max. working height	15.72m
> Max. horizontal outreach	7.24m
> Platform size	0.76x1.52m
> Max. platform capacity	230kg
> Max. working width	1.75m
> Stowed length	6.45m
> Machine weight	6,700kg

> NIFTY HR12 BE



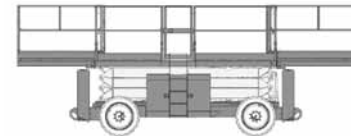
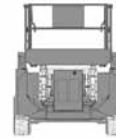
> Max. working height	12.20m
> Max. horizontal outreach	6.10m
> Platform size	1.10X0.65m
> Max. platform capacity	200kg
> Max. working width	1.80m
> Stowed length	4.10m
> Machine weight	2,630kg

> JLG LIFT LUX 245-25



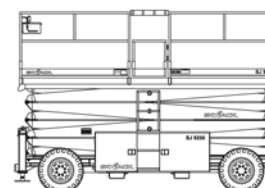
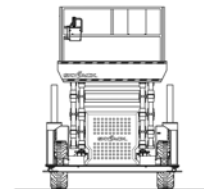
> Max. working height	26.5m
> Min. stowed height	3.20m
> Max. Platform size	2.50x7.55m
> Max. platform capacity	750kg
> Max. working width	2.50m
> Stowed length	5.74m
> Machine weight	16,300kg

> GENIE GS 5390



> Max. working height	18.15m
> Min. stowed height	2.47m
> Max. Platform size	1.83x6.57m
> Max. platform capacity	680kg
> Max. working width	2.57m
> Stowed length	4.88m
> Machine weight	7,537kg

> SKY JACK 9250



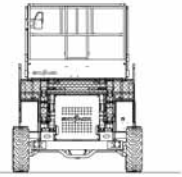
> Max. working height	17.1m
> Min. stowed height	2.3m
> Max. Platform size	1.88X7.27m
> Max. platform capacity	907kg
> Max. working width	2.34m
> Stowed length	4.47m
> Machine weight	6,790kg

> JLG 4394 RT

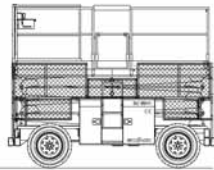


> Max. working height	15.11m
> Min. stowed height	2.19m
> Max. Platform size	2.18x6.23m
> Max. platform capacity	680kg
> Max. working width	2.39m
> Stowed length	3.89m
> Machine weight	7,100kg

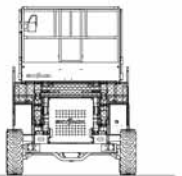
> SKY JACK 8841



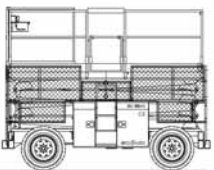
> Max. working height	14.5m
> Min. stowed height	2.2m
> Max. Platform size	1.78x5.91m
> Max. platform capacity	771kg
> Max. working width	2.21m
> Stowed length	3.49m
> Machine weight	5,400kg



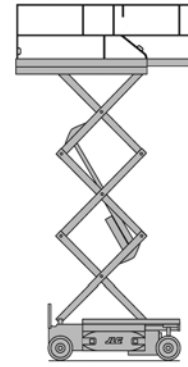
> SKY JACK 8831



> Max. working height	11.5m
> Min. stowed height	2.0m
> Max. Platform size	1.78x5.91m
> Max. platform capacity	1,134kg
> Max. working width	2.21m
> Stowed length	3.49m
> Machine weight	4,804kg



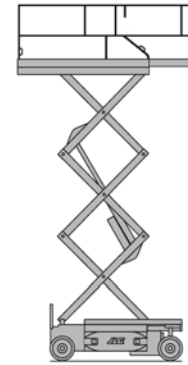
> JLG 3246



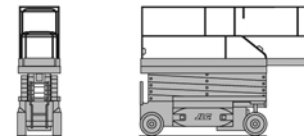
> Max. working height	11.68m
> Min. stowed height	1.97m
> Max. Platform size	1.12x3.77m
> Max. platform capacity	320kg
> Overall width	1.17m
> Stowed length	2.50m
> Machine weight	2,870kg



> JLG 2646



> Max. working height	9.92m
> Min. stowed height	1.97m
> Max. Platform size	1.12x3.77m
> Max. platform capacity	450kg
> Overall width	1.17m
> Stowed length	2.50m
> Machine weight	2,600kg



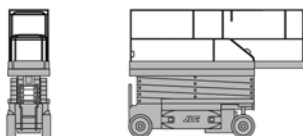
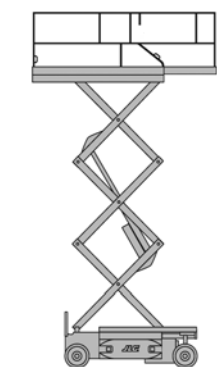
> JLG 2630 ES



> Max. working height	9.92m
> Min. stowed height	1.94m
> Max. Platform size	0.76x3.2m
> Max. platform capacity	363kg
> Overall width	0.76m
> Stowed length	2.3m
> Machine weight	2155kg

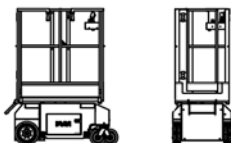
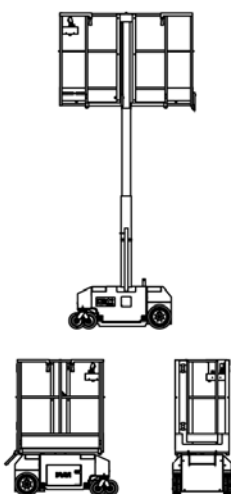


> JLG 2030



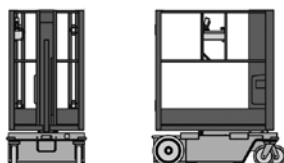
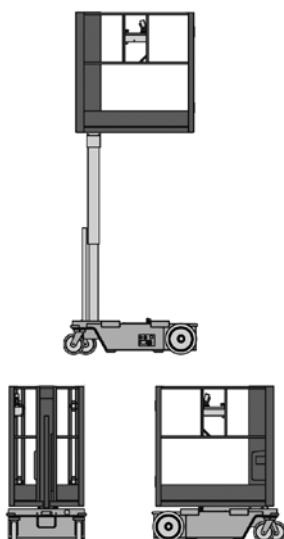
> Max. working height	8.10m
> Min. stowed height	1.8m
> Max. Platform size	0.76x3.20m
> Max. platform capacity	360kg
> Overall width	0.76m
> Stowed length	2.30m
> Machine weight	2,065kg

> BRAVI LEONARDO HD



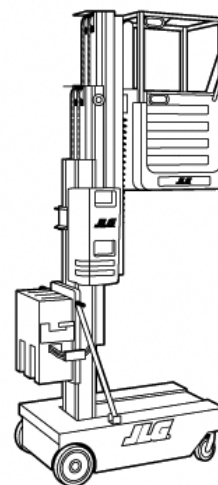
> Max. working height	4.9m
> Min. stowed height	1.74m
> Max. Platform size	0.66x1.7m
> Max. platform capacity	180kg
> Overall width	0.74m
> Stowed length	1.19m
> Machine weight	550kg

> BRAVI LITE



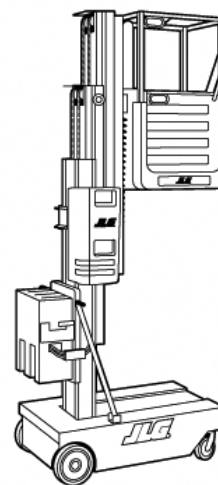
> Max. working height	4.21m
> Min. stowed height	1.52m
> Max. Platform size	0.682x1.1m
> Max. platform capacity	180kg
> Overall width	7.7m
> Stowed length	1.22m
> Machine weight	398kg

> JLG 15AMI



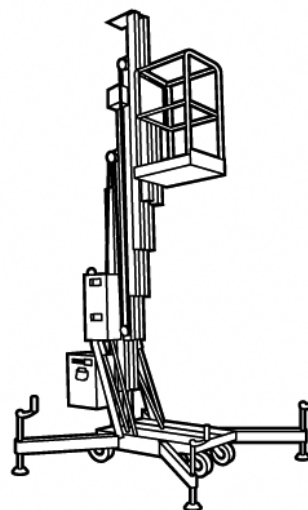
> Max. working height	6.44m
> Base size	0.74x1.33m
> Platform capacity	160kg
> Stowed height	1.97m
> Overall base length	1.33m
> Machine weight	420kg

> JLG 19AMI



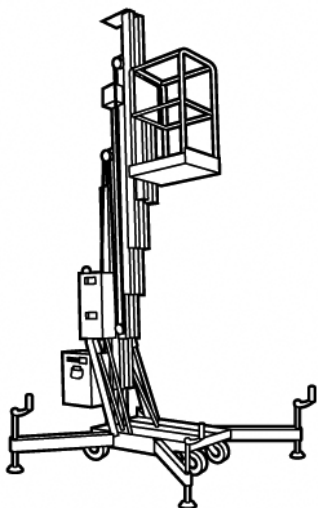
> Max. working height	7.62m
> Base size	0.86x1.33m
> Platform capacity	160kg
> Stowed height	1.98m
> Overall base length	1.33m
> Machine weight	513kg

> JLG 30AM



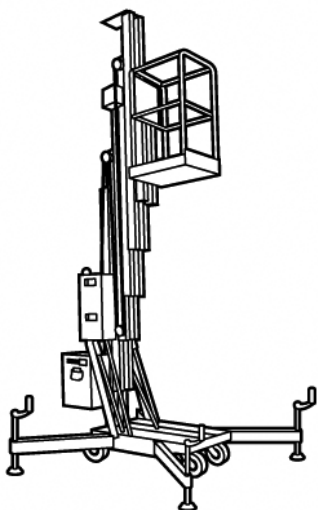
> Max. working height	11.14m
> Base size	1.83x2.00m
> Platform capacity	135kg
> Stowed height	1.97m
> Overall base length	1.32m
> Machine weight	470kg

> JLG 36AM



> Max. working height	11.05m
> Base size	2.00x2.00m
> Platform capacity	135kg
> Stowed height	2.64m
> Overall base length	1.38m
> Machine weight	515kg

> JLG 41AM



> Max. working height	14.43m
> Base size	2.20x2.20m
> Platform capacity	136kg
> Stowed height	2.64m
> Overall base length	1.46m
> Machine weight	560kg

> JLG Lift Pod

FS 60



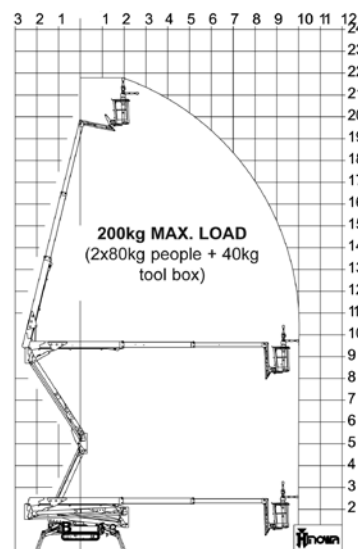
> Max. working height	3.72m
> Base size	1132x760mm
> Platform capacity	150kg
> Stowed height	2.35m
> Machine weight	59.1kg

FS 80



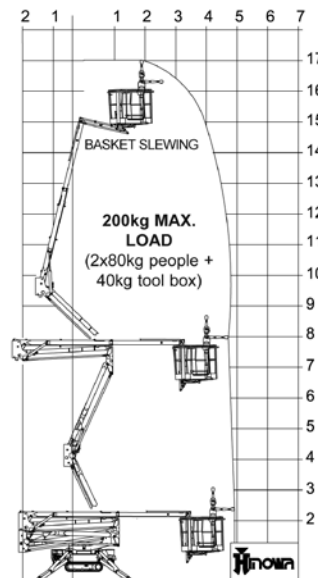
> Max. working height	4.32m
> Base size	310x1040mm
> Platform capacity	150kg
> Stowed height	2.97m
> Machine weight	63kg

> JLG X 23J



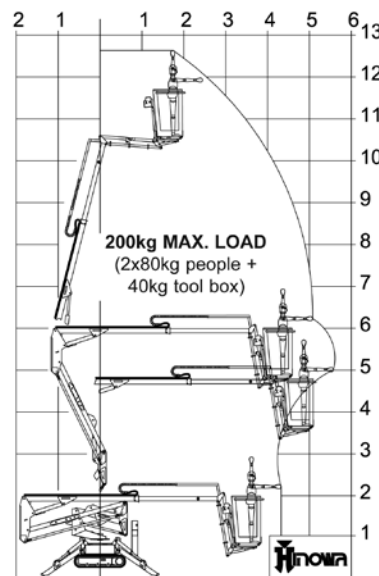
> Max. working height	23.2m
> Max. horizontal outreach	11.4m
> Platform size	1.3x0.6m
> Max. platform capacity	200kg
> Overall width	1.48m
> Stowed length	5.96m
> Machine weight	3000kg

> JLG X 19J



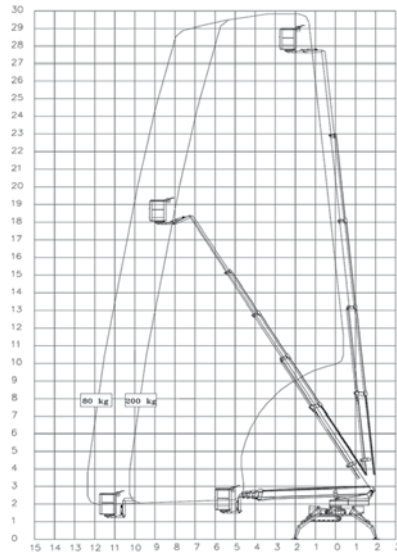
> Max. working height	18.8m
> Max. horizontal outreach	6.4m
> Platform size	1.3x0.6m
> Max. platform capacity	200kg
> Overall width	1.48m
> Stowed length	4.45m
> Machine weight	2098kg

> JLG X 14J-H



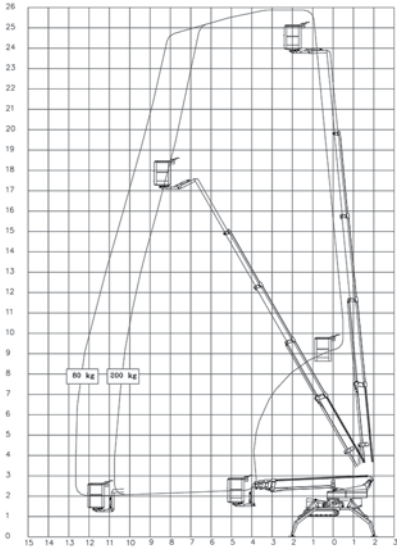
> Max. working height	13.94m
> Max. horizontal outreach	7m
> Platform size	1.33x0.69m
> Max. platform capacity	200kg
> Overall width	1.46m
> Stowed length	3.98m
> Machine weight	1,700kg

➤ OMME 3000 RBD



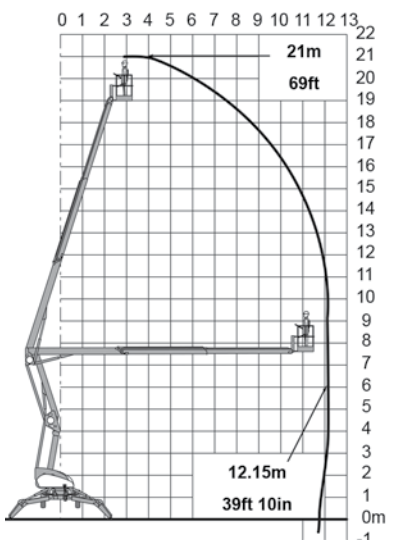
➤ Max. working height	29.70m
➤ Max. horizontal outreach	12.6m
➤ Platform size	1.25X0.8m
➤ Max. platform capacity	200kg
➤ Overall width	1.10m
➤ Stowed length	8.00m
➤ Machine weight	3,775kg

➤ OMME 2600 RBD



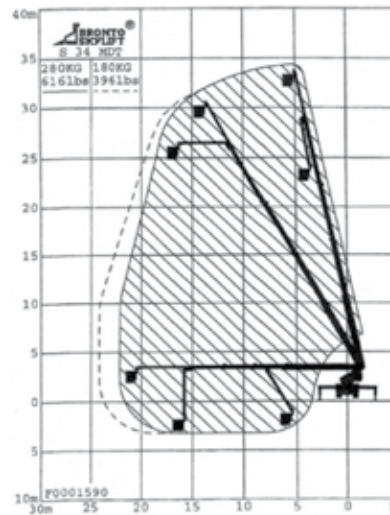
➤ Max. working height	25.6m
➤ Max. horizontal outreach	12.6m
➤ Platform size	1.25x0.8m
➤ Max. platform capacity	200kg
➤ Overall width	1.10m
➤ Stowed length	7.2m
➤ Machine weight	3,625kg

➤ NIFTY 210 T



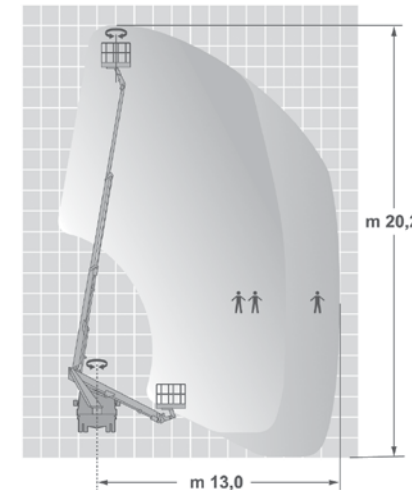
➤ Max. working height	21.00m
➤ Max. horizontal outreach	12.15m
➤ Platform size	1.40X0.70m
➤ Max. platform capacity	225kg
➤ Overall width	1.80m
➤ Stowed length	7.00m
➤ Machine weight	3,300kg

➤ BRONTO SKYLIFT 34MDT



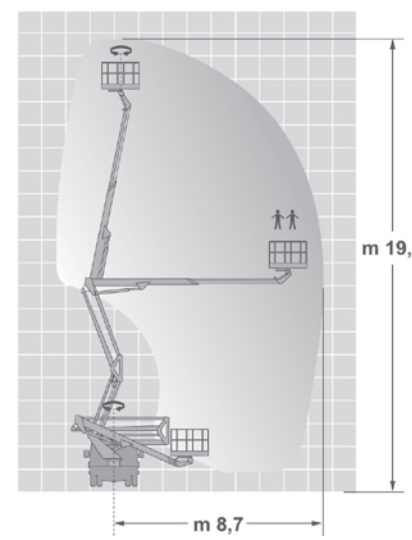
➤ Max. working height	34m
➤ Max. working outreach	22m
➤ Dimensions (cage)	1x1.8m
➤ Max. Platform capacity	280kgs
➤ Max. width	2.5m
➤ Max. length	9.53m
➤ Machine weight	17000kgs

➤ GSR E200T



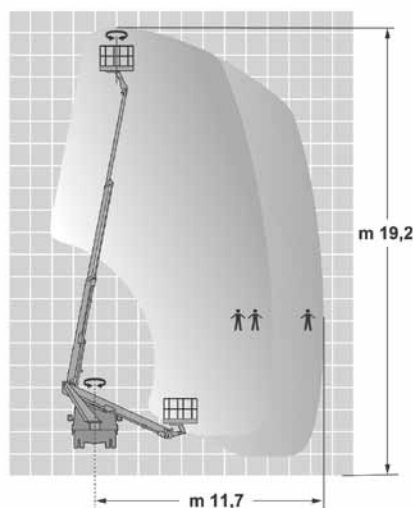
➤ Max. working height	19.65m
➤ Max. working outreach	12.2m
➤ Dimensions (cage)	1.4x0.7m
➤ Max. Platform capacity	200kgs
➤ Max. width	2m
➤ Max. length	7.1m
➤ Machine weight	3500kgs

➤ GSR E200PX



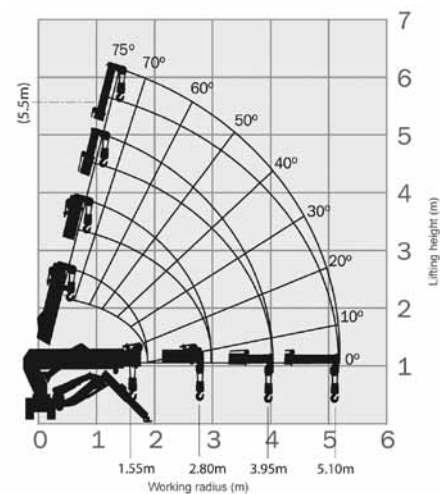
➤ Max. working height	19.65m
➤ Max. working outreach	8.7m
➤ Max Platform capacity	220kgs
➤ Dimensions (cage)	1.4x07m
➤ Max. width	2m
➤ Max. length	6.24m
➤ Machine weight	3.5t

➤ GSR S191T



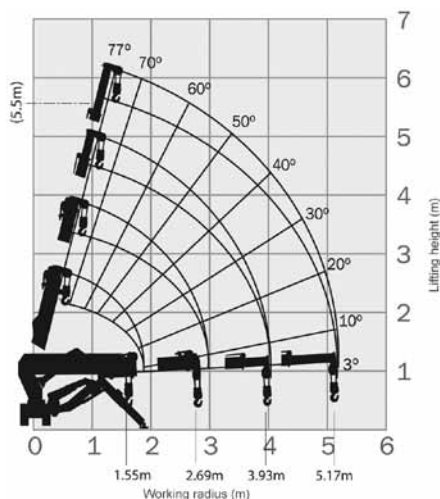
➤ Max. working height	19.2m
➤ Max. working outreach	10.55m
➤ Dimensions (cage)	1.4x0.7m
➤ Max. Platform capacity	200kgs
➤ Max. width	2m
➤ Max. length	7.1m
➤ Machine weight	3500kgs

➤ MAEDA MINI CRANE 104



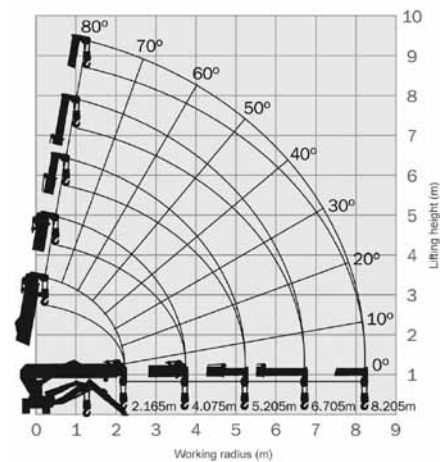
➤ Max. lifting capacity	0.995t
➤ Max. working height	5.5m
➤ Dimensions	2160X600X1350mm
➤ Machine weight	1050kg
➤ Max. up lift	32m
➤ Max. lift radius	5.1m

➤ MAEDA MINI CRANE 174



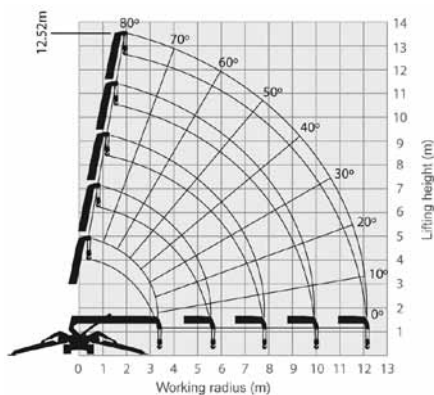
➤ Max. lifting capacity	1.72t
➤ Max. working height	5.5m
➤ Dimensions	2160X600X1350mm
➤ Machine weight	1220kg
➤ Max. up lift	28m
➤ Max. lift radius	5.1m

➤ MAEDA MINI CRANE 285



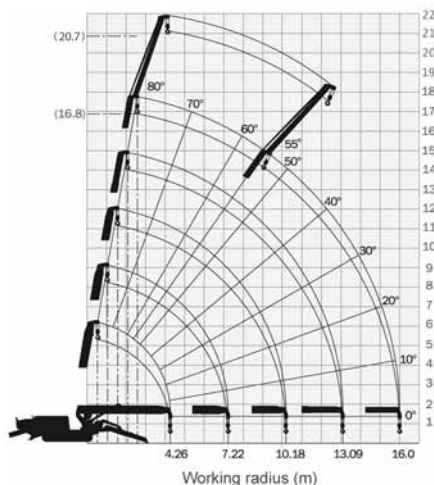
➤ Max. lifting capacity	2.8t
➤ Max. working height	8.7m
➤ Dimensions	2715X750X1440mm
➤ Machine weight	1770kg
➤ Max. up lift	40m
➤ Max. lift radius	8.2m

➤ MAEDA MINI CRANE 305



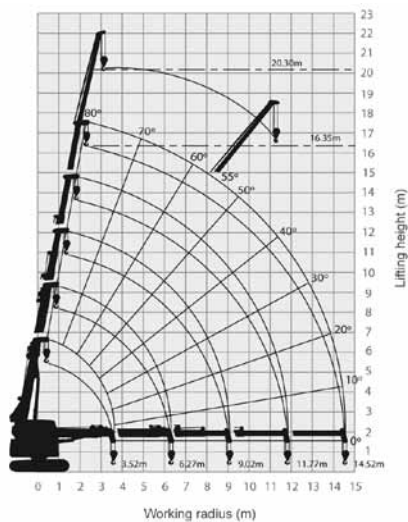
➤ Max. lifting capacity	2.98t
➤ Max. working height	12.52m
➤ Dimensions	4285X1280X1695mm
➤ Machine weight	3900kg
➤ Max. up lift	64m
➤ Max. lift radius	12.1m

➤ MAEDA MINI CRANE 405



➤ Max. lifting capacity	3.83t
➤ Max. working height	16.8m
➤ Dimensions	4980X1380X1980mm
➤ Machine weight	5750kg
➤ Max. up lift	82m
➤ Max. lift radius	16m

➤ MAEDA MINI CRANE LC785



➤ Max. lifting capacity	4.9t
➤ Max. working height	16.35m
➤ Dimensions	5020X2350X2685mm
➤ Machine weight	10.350kg
➤ Max. up lift	103m
➤ Max. lift radius	14.5m

➤ CLARK Forklift-20



➤ Load capacity	2,000kg
➤ Overall length	3405mm
➤ Fork dimensions	45X100X1067mm
➤ Mast height	Up to 3.3m

➤ CLARK Forklift-30



➤ Load capacity	3,000kg
➤ Overall length	3547mm
➤ Fork dimensions	45x122x1067mm
➤ Mast height	Up to 5.74m

➤ CLARK Forklift-50



➤ Load capacity	5,000kg
➤ Overall length	4690mm
➤ Fork dimensions	60X150X1220mm
➤ Mast height	Up to 3.3m

> CLARK Forklift-60



> Load capacity	6,000kg
> Overall length	4750mm
> Fork dimensions	60X150X1220mm
> Mast height	Up to 5m

> CLARK Forklift-70



> Load capacity	7,000kg
> Overall length	4810mm
> Fork dimensions	60x150x1220mm
> Mast height	Up to 3.3m

> CASE TX 140 - 45



> Overall height	2.450m
> Max lift height	13.55m
> Operating weight	11460kg
> Max lift capacity	4500kg

> CASE Skidsteer - 410



> Overall operating height	3.70m
> Overall length	2.49m
> Operating load	681kg
> Tipping load	1361kg

> CASE Skidsteer - 420



> Overall operating height	3.85m
> Overall length	2.60m
> Operating load	839kg
> Tipping load	1678kg

> CASE Skidsteer - 430



> Overall operating height	3.91m
> Overall length	2.60m
> Operating load	907kg
> Tipping load	1814kg

> CASE 580 Backhoe



> Dimensions	6950x2180x4250mm
> Operating weight	6480kg
> Four wheeler drive	4x4
> Engine horsepower	97HP
> Backhoe Size	1m ³
> Max. digging reach	4.6m

> Tower Lights



- > 9m mast
- > 64 hour continual running from 30 gallon tank
- > 150,000 lumens per lamp x 4
- > High output-over 50% better than most other towers
- > In-built 7.5kva generator

> Generators



- > Diesel generators from 1kva to 250kva

> Diesel Welders



- > Diesel welders from 500amp

➤ Service



Instant Access service van



Instant Access service team



Instant Access maintenance service

www.instantaccess-co.com

Kuwait

P.O. Box : 24081, Safat 13101 - Kuwait

Email : kuwait@instantaccess-co.com

sales.instantaccess@instantaccess-co.com

instant.access@instantaccess-co.com

Tel : +965 2225 9970

Fax : +965 2225 9971